

# LIGHTNING ELIMINATORS

WWW.LIGHTNINGPROTECTION.COM

## Facility Guard®

### FG-225K

Panel Mounted Surge Protection for All Electrical Services

### Features

- Maximum Surge Capacity 225kA per phase
- Protects All Modes
- Real-time Diagnostics
- Standard Disconnect Switch and Surge Counter
- Pluggable Internal Modules
- UL1449 5th Edition
- Listed UL Type 1 Surge Protection Device
- IP66 NEMA 4 rated metal enclosure

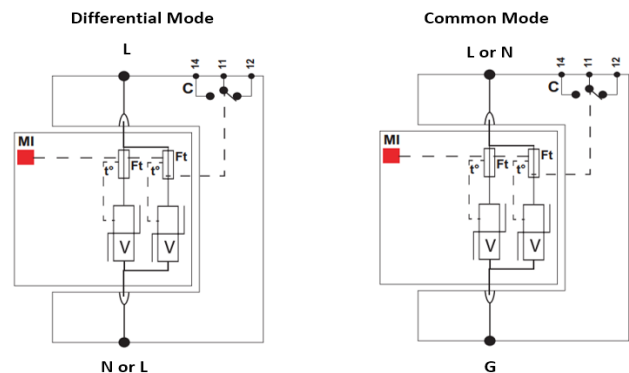
### Application

The FG225K Series is a high-performance UL 1449 Listed Type 1 SPD designed for critical panels located in the harshest environments. The Surge Protection Device (SPD) achieves the highest UL performance ratings for the Nominal Discharge Current (In) and High Current (SCCR) tests while providing a low Voltage Protection Rating (VPR). It is ideally suited for all NEC compliant locations including a UL96A Master Label Lightning Protection System and thus can be deployed with complete confidence.

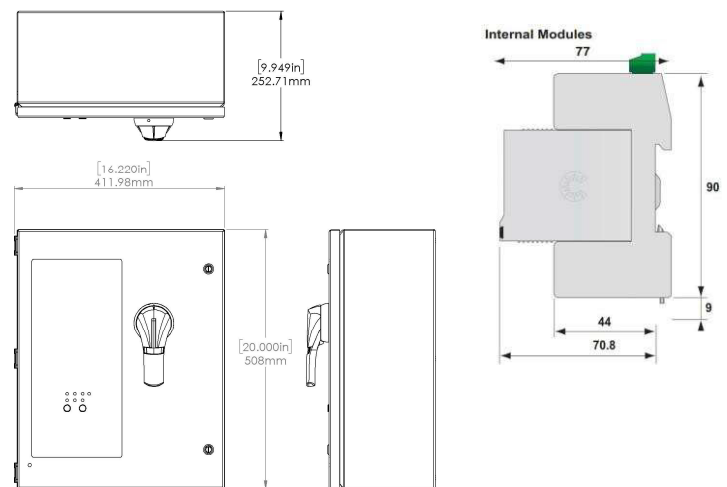
In addition to its rugged performance, the FG225K Series has a Smart-Diagnostic System that includes a multi-stage LED to indicate the exact level of protection present per phase, an audible alarm, remote signal contacts, surge counter and external disconnect switch. The FG225K Series is available for all single & three phase configurations up to 600VAC and is housed in a NEMA 4 rated metal enclosure.



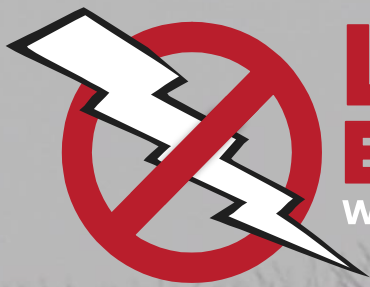
### Electrical Diagram



### Dimensions



Made in the U.S.



# LIGHTNING ELIMINATORS

WWW.LIGHTNINGPROTECTION.COM

## Configurations

Model No.	System Voltage & Configuration
FG225K-120/240SXD	120/240 Vac Split Phase
FG225K-120/208YXD	120/208 Vac 3 Phase Wye
FG225K-220/380YXD	220/380 Vac 3 Phase Wye
FG225K-240/415YXD	240/415 Vac 3 Phase Wye
FG225K-277/480YXD	277/480 Vac 3 Phase Wye
FG225K-347/600YXD	347/600 Vac 3 Phase Wye
FG225K-120/240HDXD	120/240 Vac 3 Phase High Leg Delta
FG225K-240-3DXD	240 Vac 3 Phase Delta
FG225K-480-3DXD	480 Vac 3 Phase Delta

## Operating Parameters

Surge Capacity per Phase	225,000 amps
Modes Protected	L-N, L-L,N-G,L-G
Failure Indication	LEDs
Temperature Limits	-40°F + 185°F (-40°C + 85°C)
Relative Humidity Range	0-95% non-condensing
Frequency	50/60 Hz
Housing Enclosure Material	Steel
NEMA	NEMA 4
UL 1449 5th Ed. Listed	*Yes
Warranty	10 years
Code Compliance	UL Type 1 Listed SPD
Dimensions	See Diagram
Weight	30 Lbs
Shipping Dimensions	18" x 18" x 10"

\*U.S Voltages Only (VZCA only)

## FG225K Performance Data

Model No.	L-N	L-L	N-G	L-G	I <sub>n</sub>	SCCR	MCOV
FG225K-120/240SXD	1200	1800	900	1200	20kA	200kA	210/420/150/210
FG225K-120/208YXD	1000	1500	900	1000	20kA	200kA	150/300/150/150
FG225K-220/380YXD	1800	2500	1200	1800	20kA	200kA	320/640/275/320
FG225K-240/415YXD	1800	2500	1200	1800	20kA	200kA	320/640/275/320
FG225K-277/480YXD	1800	2500	1200	1800	20kA	200kA	420/840/275/420
FG225K-347/600YXD	1800	3000	1800	1800	20kA	200kA	460/920/420/460
FG225K-120/240HDXD	1800/1800	3000/3000	3000	1800/1800	20kA	200kA	420/420/840/840/840/420/420
FG225K-240-3DXD	N/A	1500	N/A	1500	20kA	200kA	-/300/-/300
FG225K-480-3DXD	N/A	2000	N/A	2000	20kA	200kA	-/550/-/550



Made in the U.S.