

LIGHTNING ELIMINATORS

WWW.LIGHTNINGPROTECTION.COM

Facility Guard[®] Basic

FGB-220K

Panel Mounted Surge Protection for All Electrical Services

Features

- Maximum Surge Capacity 220kA per phase
- Protects All Modes
- Real-Time Green LED indicators
- UL1449 5th Edition
- Listed UL Type 1 Surge Protection Device
- IP66 NEMA 4X

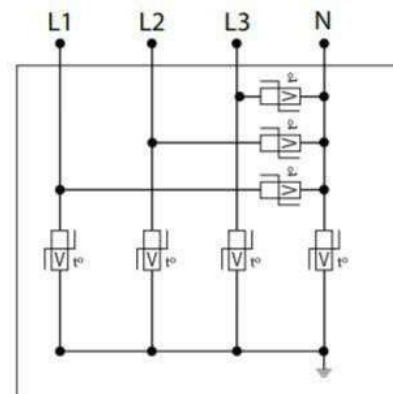
Application

The FGB220K Series is a high-performance UL 1449 Listed Type 1 SPD designed for critical panels located in the harshest environments. The Surge Protection Device (SPD) achieves the highest UL performance ratings for the Nominal Discharge Current (In) and High Current (SCCR) tests while providing a low Voltage Protection Rating (VPR). It is ideally suited for all NEC compliant locations including a UL96A Master Label Lightning Protection System and thus can be deployed with complete confidence.

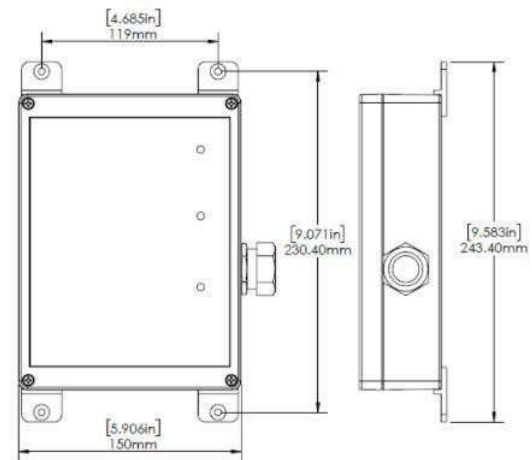
In addition to its rugged performance, the FGB220K Series has LED visual indicators includes a green LED to indicate the exact condition of each phase. The FGB220K Series is available for all single & three phase configurations up to 600VAC and is housed in a NEMA 4X rated plastic enclosure.



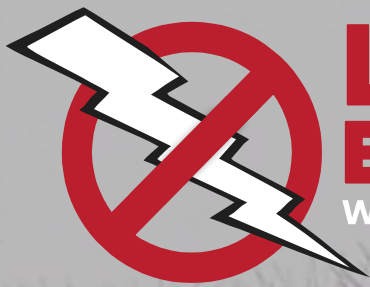
Electrical Diagram



Dimensions



Made in the U.S.



LIGHTNING ELIMINATORS

WWW.LIGHTNINGPROTECTION.COM

Configurations

Model No.	System Voltage & Configuration
FGB220K-120/240SA	120/240 Vac Split Phase
FGB220K-120/208YA	120/208 Vac 3 Phase Wye
FGB220K-220/380YA	220/380 Vac 3 Phase Wye
FGB220K-240/415YA	240/415 Vac 3 Phase Wye
FGB220K-277/480YA	277/480 Vac 3 Phase Wye
FGB220K-120/240H	120/240 Vac 3 Phase High Leg Delta
FGB220K-240-3DA	240 Vac 3 Phase Delta
FGB220K-480-3DA	480 Vac 3 Phase Delta

Operating Parameters

Surge Capacity per Phase	220,000 amps
Modes Protected	L-N, L-L,N-G,L-G
Failure Indication	LEDs
Temperature Limits	-40°F + 185°F (-40°C + 85°C)
Relative Humidity Range	0-95% non-condensing
Frequency	50/60 Hz
Housing Enclosure Material	Plastic
NEMA	NEMA 4X
UL 1449 5th Ed. Listed	*Yes
Warranty	10 years
Pigtail Wire Sizes	#10 AWG 36" leads
Code Compliance	UL Type 1 Listed SPD
Dimensions	See Diagram
Weight	4 Lbs
Shipping Dimensions	10" x 10" x 10"

*U.S Voltages Only (VZCA only)

FGB220K Performance Data

Model No.	L-N	L-L	N-G	L-G	I _n	SCCR	MCOV
FGB220K-120/240SA	700	1000	700	700	20kA	150kA	150/300/150/150
FGB220K-120/208YA	700	1000	700	700	20kA	150kA	150/300/150/150
FGB220K-220/380YA	1000	1800	1000	1200	20kA	150kA	320/640/320/320
FGB220K-240/415YA	1000	1800	1000	1200	20kA	150kA	320/640/320/320
FGB220K-277/480YA	1000	1800	1000	1200	20kA	150kA	320/640/320/320
FGB220K-120/240H	700/700	1000/3000	700	700/700	20kA	150kA	150/320/300/470/150/150/320
FGB220K-240-3DA	N/A	1800	N/A	1200	20kA	150kA	-/640/-/320
FGB220K-480-3DA	N/A	3000	N/A	1800	20kA	150kA	-/1100/-/550



Made in the U.S.