

LIGHTNING ELIMINATORS

WWW.LIGHTNINGPROTECTION.COM

TLX50K[®]

Transient Limiter

Nipple- Mounted Surge Protector for Light Load Service Entrances & Subpanels

Application

- Industrial
- Commercial
- Residential

Features

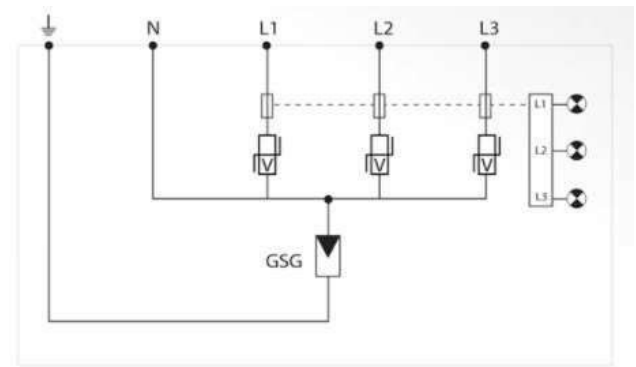
- Maximum Surge Capacity 50kA per phase 8/20 μ s
- All single and three phase configurations from 120 to 600VAC
- Hybrid technology for enhanced Temporary Overvoltage (TOV) protection with no leakage current
- Real-time diagnostics include LED per phase and audible alarm
- Indoor/Outdoor IP66/NEMA 6 rated enclosure (NEMA 6 exceeds NEMA 4 or 4X)
- Panel mount via M22 or 1/2" NPT
- Mounting is available on back or din-rail

UL

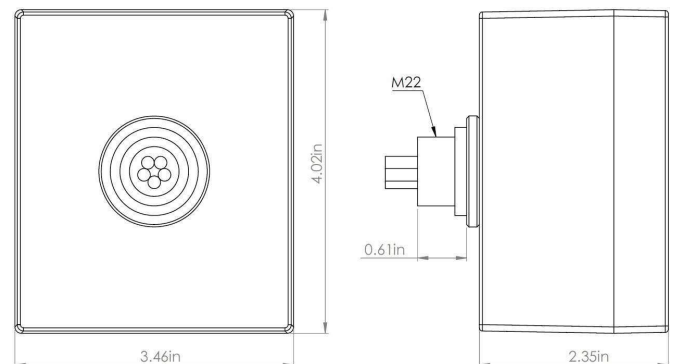
- Listed for standalone or integrated applications
- UL 1449 5th Ed. Type 1 Listed SPD
- In 20kA (all models)
- SCCR 150kA to 200kA
- Meets requirements of UL96A Lightning Protection Master Label



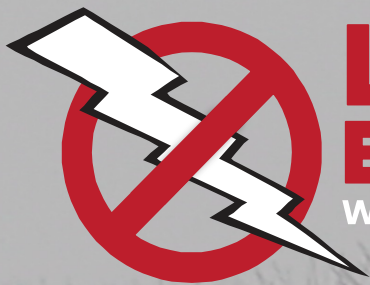
Electrical Diagram



Dimensions



Made in the U.S.



LIGHTNING ELIMINATORS

WWW.LIGHTNINGPROTECTION.COM

Configurations

Model No.	System Voltage & Configuration
TLX50K-120-1N	120 Vac Single Phase
TLX50K-240-1N	240 Vac Single Phase
TLX50K-120/240SN	120/240 Vac Split Phase
TLX50K-120/208YN	120/208 Vac 3 Phase Wye
TLX50K-220/380YN	220/380 Vac 3 Phase Wye
TLX50K-240/415YN	240/415 Vac 3 Phase Wye
TLX50K-277/480YN	277/480 Vac 3 Phase Wye
TLX50K-120/240H	120/240 Vac 3 Phase High Leg Delta
TLX50K-240-3D	240 Vac 3 Phase Delta
TLX50K-480-3D	480 Vac 3 Phase Delta
TLX50K-600-3D	600 Vac 3 Phase Delta

Operating Parameters

Surge Capacity per Phase	50,000 amps
Modes Protected	L-N, L-L,N-G,L-G
Failure Indication	LEDs
Temperature Limits	-40°F + 185°F (-40°C + 85°C)
Relative Humidity Range	0-95% non-condensing
Frequency	50/60 Hz
Housing Enclosure Material	Aluminum Cast
NEMA	NEMA 6
UL 1449 5th Ed. Listed	*Yes
Warranty	10 years
Pigtail Wire Sizes	#12 AWG 36" leads
Code Compliance	UL Type 1 Listed SPD
Dimensions	See Diagram
Weight	3 Lbs
Shipping Dimensions	8" x 6" x 4"

*U.S Voltages Only (VZCA only)

TLX50K Performance Data

Model No.	L-N	L-L	N-G	L-G	I _n	SCCR	MCOV
TLX50K-120-1N	700	N/A	1200	1200	20kA	150kA	140/-/120/140
TLX50K-240-1N	1200	N/A	1200	1500	20kA	150kA	240/-/280/280
TLX50K-120/240SN	700	1200	1200	1200	20kA	150kA	140/280/120/140
TLX50K-120/208YN	700	1200	1200	1200	20kA	150kA	140/280/120/140
TLX50K-220/380YN	1200	2500	1200	1500	20kA	150kA	320/560/280/320
TLX50K-240/415YN	1200	2500	1200	1500	20kA	150kA	320/560/280/320
TLX50K-277/480YN	1200	2500	1200	1500	20kA	150kA	320/560/280/320
TLX50K-120/240H	1200	2500	1200	1500	20kA	150kA	320/560/280/320
TLX50K-240-3D	N/A	1200	N/A	1200	20kA	150kA	-/280/-/280
TLX50K-480-3D	N/A	2500	N/A	1500	20kA	150kA	-/560/-/560
TLX50K-600-3D	N/A	3000	N/A	1800	20kA	150kA	-/690/-/690



Made in the U.S.