

LIGHTNING ELIMINATORS

WWW.LIGHTNINGPROTECTION.COM

DLP-DIN-8

Data Line Protector

A Unique, State-of-the-Art, Series Hybrid Surge Protector in a Low Cost, Compact, 8 Circuit Enclosure.

What is the Hazard?

Electrical storms pose a special threat to equipment attached to data lines, communication lines, and process control lines. The hazards exist whether the lines are above or below ground.

Lightning can induce electrical surges and transients of incredible destructive force, having thousands of volts and hundreds of joules, in a span of a few microseconds. Other harmful transients are man-made: utility switching, in-house switching, motors and machinery. All of these transients can degrade and damage unprotected equipment.

TWO YEAR WARRANTY

LEC, Inc. warrants the DLP-DIN-8 and DLP-LDIN-8 Data Line Protectors for 2 years to be free from defects in workmanship and material.

What is the Solution?

There is a device that provides absolute protection for equipment: the DLP-DIN-8. The DLP-DIN-8 protects against both the high-energy, fast-rising transients and the slower, high-energy impulses. What's unique about the DLP-DIN-8 is that each unit protects 8 circuits in a small package. In addition, the DLP-DIN-8 is EMI/RFI shielded and has a grounded foot for attachment to a grounded DIN rail.



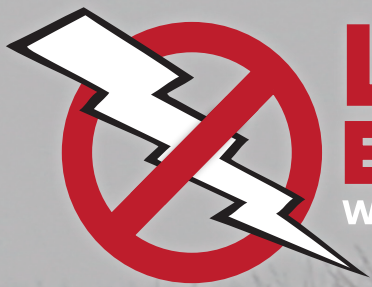
Easy Installation

The DLP-DIN-8 can be snapped into any standard 35mm U-shaped DIN rail. It can also be mounted to any flat surface using Velcro. The wire leads are connected to screw terminals on connectors on opposite ends of the device. These connectors can easily be detached and reconnected for service.

The DLP-DIN-8 is designed to protect all types of digital and communication circuits. The LDLP-DIN-8 is designed to protect analog signals, circuit loops, and low frequency signals.

Performance Ratings

- Maximum Surge Current: 10,000 Amps
- Maximum Energy Handling: 500 Joules
- Response Time : < 5 Nanoseconds
- Clamping Voltage: Selected by Customer
- Operating Altitude: Up to 10,000 Feet
- Operating Humidity: 5% to 95%
- Operating Temperature: - 40C to 85C
- Enclosure Type: EMP/RFI Shielded



DLP-DIN-8 Product Specifications

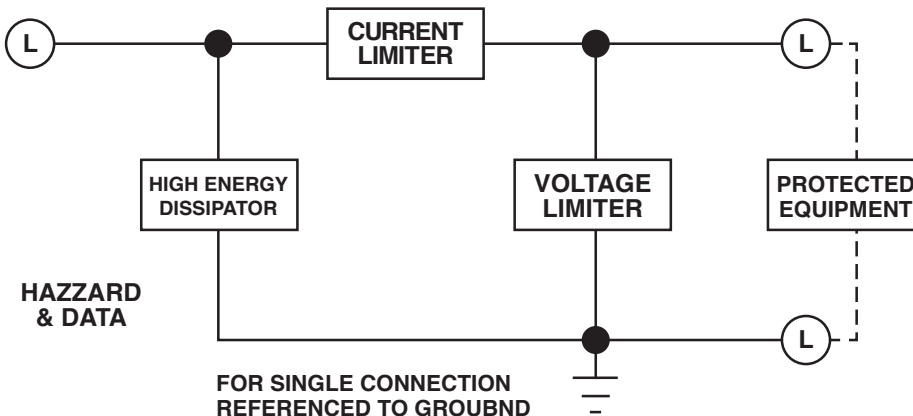
Physical Specifications	DLP-DIN-8	DLP-LDIN-8
Enclosure Type/Mount	EMP/RFI Shielded, Aluminum Case	EMP/RFI Shielded, Aluminum Case
Dimensions	3.00in H x 2.86in D x 1.0in W	3.00in H x 2.86in D x 1.0in W
Temperature Range	-40 C to 85 C	-40 C to 85 C
Unit Weight	2.8 ounces	2.8 ounces
Maximum Altitude	10,000 Feet	10,000 Feet
Operating Humidity	5 to 95%	5 to 95%
Warranty	2 Years	2 Years

Electrical Specifications	DLP-DIN-8	DLP-LDIN-8
Application	High Frequency Datacomm. Lines	DC, Analog, Low Frequency Circuits
Technology	Multi Stage Series Hybrid Circuit	Multi Stage Series Hybrid Circuit
Number of Circuits per Unit	8	8
Maximum Surge Current	10,000 amps per line	10,000 amps per line
Maximum Operating Current	270 mA	500 mA
Response Time	< 5 nanoseconds	< 5 nanoseconds
Line Impedance	27 Ohms	< 1 Ohm
Connection Means	Wired in Series Before Load	Wired in Series Before Load
Protection Modes	Line-Ground	Line-Ground

TYPICAL DLP-DIN-8 BLOCK DIAGRAM

To Create Your DLP Model Number: DLP-*V-(L)DIN-8

*V = Clamping Voltage



Operating Voltage	Clamping Voltage
≤ 6V	7.5
≤ 10V	12
≤ 25V	30
≤ 42V	51
≤ 62V	75
≤ 83V	100
≤ 125V	150
≤ 175V	200